

# ATI Article Type Identifier

---



## ATI Article Type Identifier

The “Article Type Identifier” (ATI) is designed to determine a container’s type and/or orientation without contact. It is used for sorting multiple container types on a single-line conveyor or identifying the container type for downstream inspection. When connected to the “Container Aligner” (AL), containers can be positioned for optimal sidewall inspection or orientated for packaging.

## Features

- Includes three high resolution line scan cameras capturing the side views of containers.
- Multi article supports up to four different types of containers.
- High speed operation with speeds up to 1 meter per second.

## Options

- Top down camera for orientation of containers where location features can easily be seen when looking above the container
- Air rejecter

## Ware Range

- Height: 40mm - 440mm (1.5" - 17.3")
- Body Diameter: 15mm - 160mm (0.5" - 6.2")

## Specifications

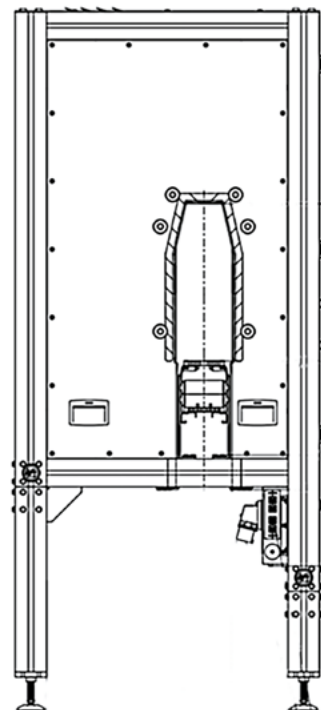
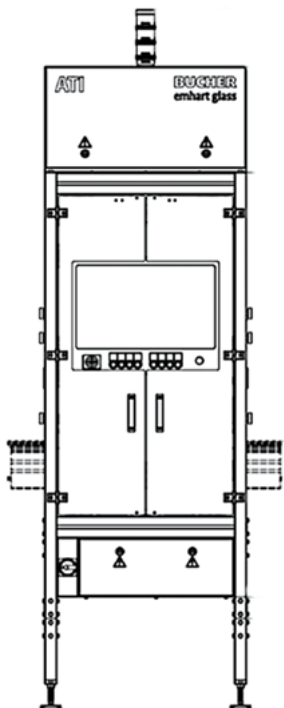
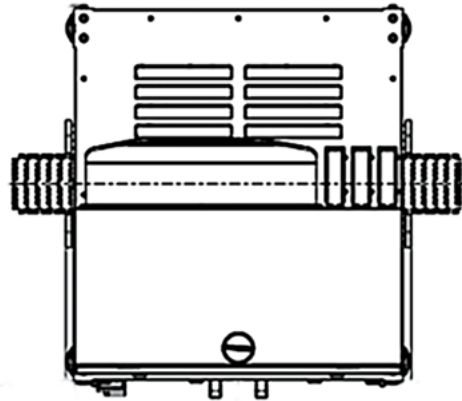
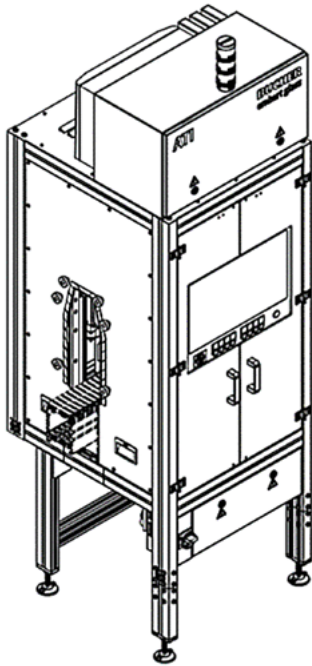
- Speed 1m/s (39.3"/s) maximum
- Up too 500 containers per minute (bottle dependant)
- Dimensions L 788mm (31") x W 857mm (33.7") x H 2600mm (102.3")
- IP 50 protection

## Power Requirements

- 230VAC single phase 50/60hz Standard - *optional voltages available on request*
- Amps 16

## Environmental

- Temperature 5C - Max. 50 °C (41 - 122°F)
- Relative humidity Max. 95% relative humidity



*Conveyor shown for reference only*

[www.bucheremhartglass.com](http://www.bucheremhartglass.com)

---

**Bucher Emhart Glass**  
Hinterbergstrasse 22  
CH-6312 Steinhausen

Telephone: +41 41 749 42 00  
Fax: +41 41 749 42 71  
[webmaster@bucheremhartglass.com](mailto:webmaster@bucheremhartglass.com)  
[www.bucheremhartglass.com](http://www.bucheremhartglass.com)